

Kawamoto

For Wastewater

WUE type KAWAPET E



WUE type



WUE-L type
(Automatic)



WUE-LN type
(Automatic Alternate/parallel)

Note: The photos are floor mount type. Please inquiry us about pedestal support type.

New KAWAPET having **“Excellent”** discharge performance !!

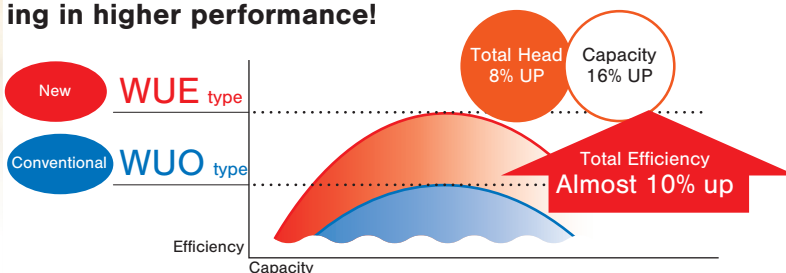
In sump submersible pumps,

Industry-FIRST!



Resin non-clog impeller is adopted!

Compared to the conventional WUO vortex type, the pump efficiency has been greatly improved, resulting in higher performance!



Excellent

Foreign objects passing performance!

It smoothly ejects not only solids but also soft foreign objects.



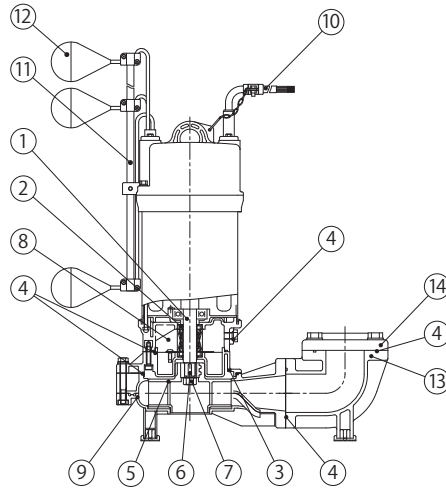
Foreign objects retaining inside the pump **hardly occurs.**

*This is cutaway image.

Standard specification

Liquid	Quality	Sump, Sewage, and Waste water (pH 5 ~ 9)
	Temperature	0 ~ 40 °C
Maximum depth of pump installation		Within 8m
motor	Type	Dry-sealed submersible motor
	Power supply	Three phase 380V
	Output	1.5, 2.2, 3.7kW
Structure	Shaft seal	Double mechanical seal Contacting liquid side: SiC x SiC Motor side: Ceramic x Carbone
	Sealed oil	Turbine oil
Ability to pass foreign object	1.5kW: Φ 35mm	
	2.2, 3.7kW: Φ 40mm	

Typical structure drawing (-LN type, Floor mount)

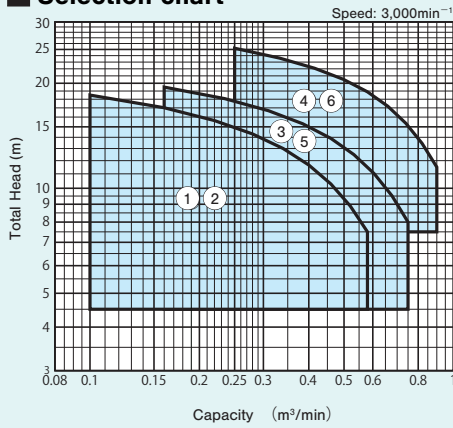


No.	Name	Material
1	Submersible motor shaft	SUS304
2	Mechanical seal	Contacting liquid side: SiC x SiC Motor side: Ceramic x Carbone
3	Casing cover	PP
4	O-ring	NBR
5	Impeller	PA
6	Key	SUS403
7	Nut	SUS304
8	Turbine oil	-
9	Casing	PA
10	Cable	VCT
11	Rod	PVC
12	Float	-
13	Connecting bend	PP
14	Square flange	PVC

This drawing is typical, so it may vary to depend on models.

50Hz

Selection chart

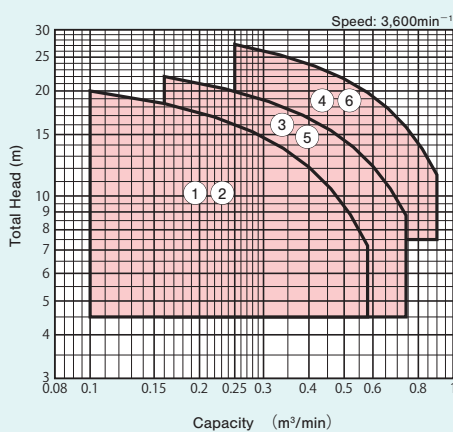


Standard specification

Operation method	Bore mm	Model name	Output kW	Standard specification			
				Capacity m3/min	Total head m	Capacity m3/min	Total head m
Manual	50	WUE505 - 1.5T4-F ※ 1	1.5	0.1	18.5	0.58	7.5
		WUE655 - 1.5T4-F ※ 1	1.5	0.1	18.5	0.58	7.5
		WUE655 - 2.2T4-F ※ 2	2.2	0.16	19.5	0.75	8
	80	WUE655 - 3.7T4 - F ※ 3	3.7	0.25	25.2	0.9	11.5
		WUE805 - 2.2T4 - F ※ 2	2.2	0.16	19.5	0.75	8
		WUE805 - 3.7T4 - F ※ 3	3.7	0.25	25.2	0.9	11.5
Automatic · Automatic (Alternate/Parallel)	50	WUE505 - 1.5T4L/LN - F ※ 1	1.5	0.1	18.5	0.58	7.5
		WUE655 - 1.5T4L/LN - F ※ 1	1.5	0.1	18.5	0.58	7.5
		WUE655 - 2.2T4L/LN - F ※ 2	2.2	0.16	19.5	0.75	8
	80	WUE655 - 3.7T4L/LN - F ※ 3	3.7	0.25	25.2	0.9	11.5
		WUE805 - 2.2T4L/LN - F ※ 2	2.2	0.16	19.5	0.75	8
		WUE805 - 3.7T4L/LN - F ※ 3	3.7	0.25	25.2	0.9	11.5

60Hz

Selection chart



Specification table

Operation method	Bore mm	Model name	Output kW	Standard specification			
				Capacity m3/min	Total head m	Capacity m3/min	Total head m
Manual	50	WUE506 - 1.5T4 - F ※ 1	1.5	0.1	18.5	0.58	7.5
		WUE656 - 1.5T4 - F ※ 1	1.5	0.1	18.5	0.58	7.5
		WUE656 - 2.2T4 - F ※ 2	2.2	0.16	19.5	0.75	8
	80	WUE656 - 3.7T4 - F ※ 3	3.7	0.25	25.2	0.9	11.5
		WUE806 - 2.2T4 - F ※ 2	2.2	0.16	19.5	0.75	8
		WUE806 - 3.7T4 - F ※ 3	3.7	0.25	25.2	0.9	11.5
Automatic · Automatic (Alternate/Parallel)	50	WUE506 - 1.5T4L/LN - F ※ 1	1.5	0.1	18.5	0.58	7.5
		WUE656 - 1.5T4L/LN - F ※ 1	1.5	0.1	18.5	0.58	7.5
		WUE656 - 2.2T4L/LN - F ※ 2	2.2	0.16	19.5	0.75	8
	80	WUE656 - 3.7T4L/LN - F ※ 3	3.7	0.25	25.2	0.9	11.5
		WUE806 - 2.2T4L/LN - F ※ 2	2.2	0.16	19.5	0.75	8
		WUE806 - 3.7T4L/LN - F ※ 3	3.7	0.25	25.2	0.9	11.5

Note: LN type have to use together with L type. Alternate/parallel operation is available.

Actual model names on the nameplate for *1~3 on the above list are as below. (Automatic type is named -L on the end, Automatic (Alternate/Parallel) type is named -LN on the end)

※ 1 WUE505/655-1.5 - 1.5 (L, LN) ※ 2 WUE655/805 - 2.2 (L, LN) ※ 3 WUE655/805 - 3.7 (L, LN)
WUE506/656-1.5 - 1.5 (L, LN) WUE656/806 - 2.2 (L, LN) WUE656/806 - 3.7 (L, LN)

Note: The specification on the above table shows individual pump. (Codes for some model, and so on are omitted)

Specifications/configurations may be altered as a result of improvement, and so on. Unauthorised reproduction of this document is prohibited.

Distributor

Kawamoto

KAWAMOTO PUMP ASIA CO.,LTD.

20 Moo 3, Rojana Industrial Park 2, Tambol Banchang,
U-Thai, Phra Nakhon Si Ayutthaya 13210, Thailand

TEL: 0-3574-6860

HP: <https://kawamoto-pump.co.th/>

Name	WUE pamphlet
No.	21D01T